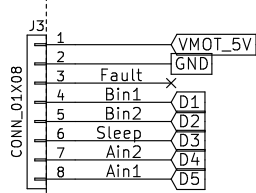
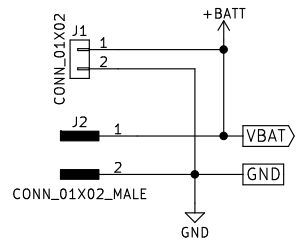
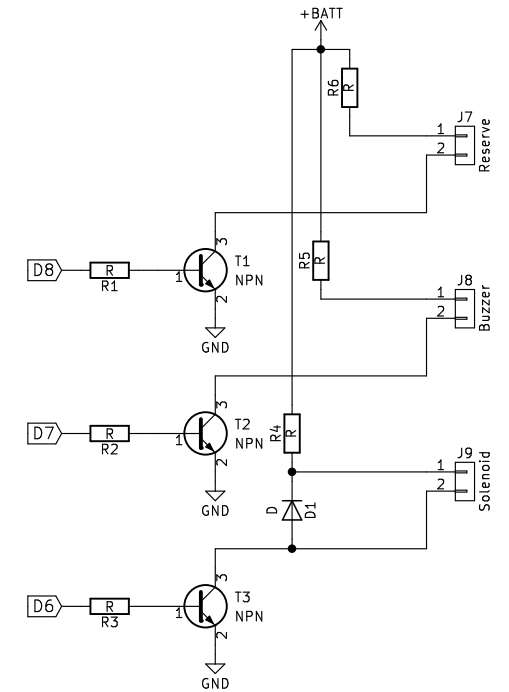
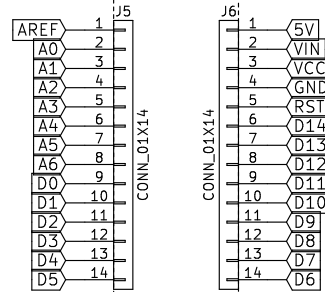


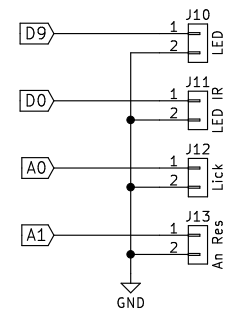
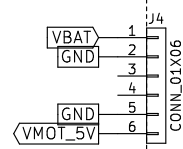
Motor Driver
Adafruit DRV8833



Arduino MKR1000



Step-Up voltage regulator
Adafruit TPS61030



Sheet: /
File: 1809-SCH-01_FlowerDunio.sch

Title:

Size: A4
KiCad E.D.A. eeschema 4.0.6

Date:

Rev:
Id: 1/1